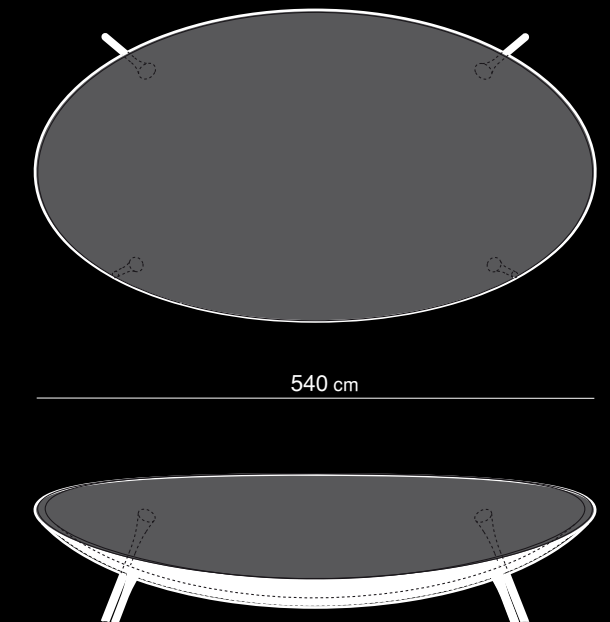


www.islelounge.com

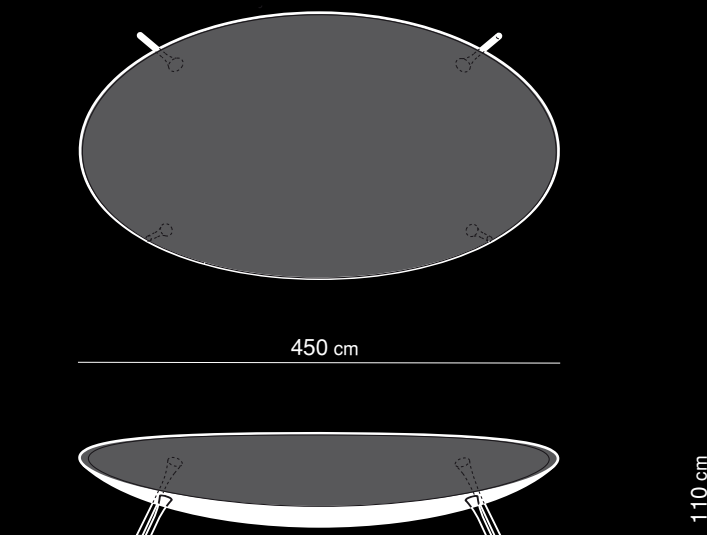
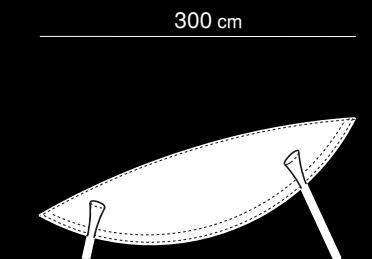
indoor/outdoor version available

material:
glossy lacquered carbon epoxy sandwich
upholstered in special 3d textile by Hybrids+Fusion tm
different upholstery materials possible at special request



large

minimum opening required: w270 x h200 cm
weight: 200kg



small

minimum opening required: w195 x h195 cm
weight: 150kg

